

STI Wireless Accessories



STI-34601



STI-34201



STI-6400WIR



STI-6200WIR

PRODUCT OVERVIEW

The Wireless Alert Series wirelessly monitors up to 4 different STI devices at a single, convenient location. These wireless sensors work in conjunction with the wireless receivers. When the sensors detect a tripped site, it sounds programmable voice messages to alert which sensor has been activated to the receiver. The receiver offers ten tones/tunes and 53 selectable words (available in English or Spanish). Supervised for low battery and signal reception, it operates up to 300m (line of sight). Monitors: open/closed garage door, mail delivery, fence gate and medicine cabinet, etc.

HOW IT WORKS

Mailbox Alert Sensor (STI-34201)

When a mailbox door is opened, the sensor will alert a receiver (not included - see STI-V34200 for Sensor & Receiver Kit)

Garage Sentry® Sensor (STI-34301)

When a garage door is opened, the sensor will alert a receiver (not included - see STI-V34300 for Sensor & Receiver Kit)

Universal Alert Sensor (STI-34401)

Universal Alert sensor will let you know if the monitored site is tripped, can be used on a medicine cabinet, fence gate, window, shed, etc. A wireless signal is sent to the receiver (not included - see STI-V34400 for Sensor & Receiver Kit).

Wireless Doorbell Button (STI-34601)

Water/weather resistant button sends a wireless signal to a receiver when pressed (Receiver is not included - see STI-V34600 for Sensor & Receiver Kit). Operates up to 150m (line of sight).

KEY FEATURES

General Information

- A wireless signal is sent from the sensor to the receiver, alerting a monitored site has been activated.
- The 4-Channel Voice receiver sounds a programmable voice message when used in conjunction with a sensor.

Installation

- No difficult wiring.
- 4-Channel Voice receiver has easy programming voice prompt and recognises sensor.

Electronics

- When motion is detected, the sensor sends a wireless signal to an indoor STI receiver.
- Most operate up to 300m (line of sight), 433 MHz.
- Has supervised battery and signal reception.

Options

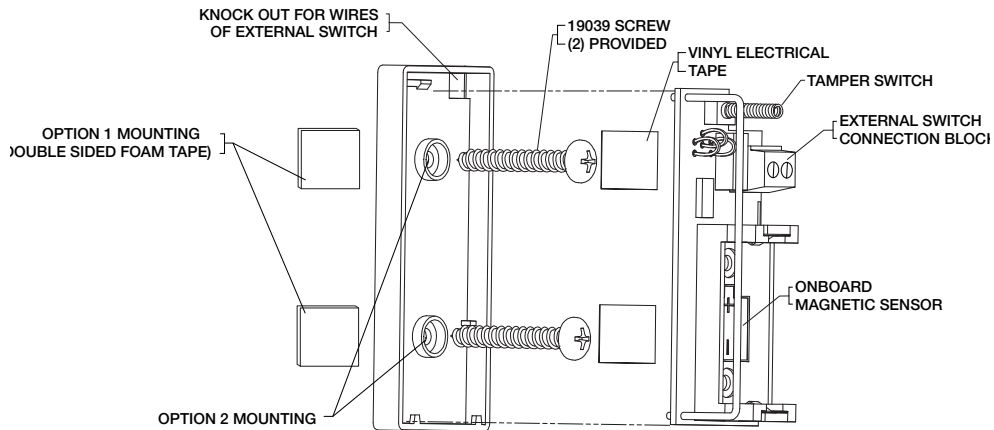
- Models available for use with: Mailboxes, garage doors, doorbells, sheds, windows, cabinets etc.
- Has an on board reed switch, remove set of terminals.
- Can monitor a large variety of devices.
- Includes a magnetic contact with .46metre lead for irregular installations or can be used as a tilt switch.
- 4-Channel Voice receiver offers 10 tones/tunes and 53 selectable words (English or Spanish).

STI Wireless Accessories

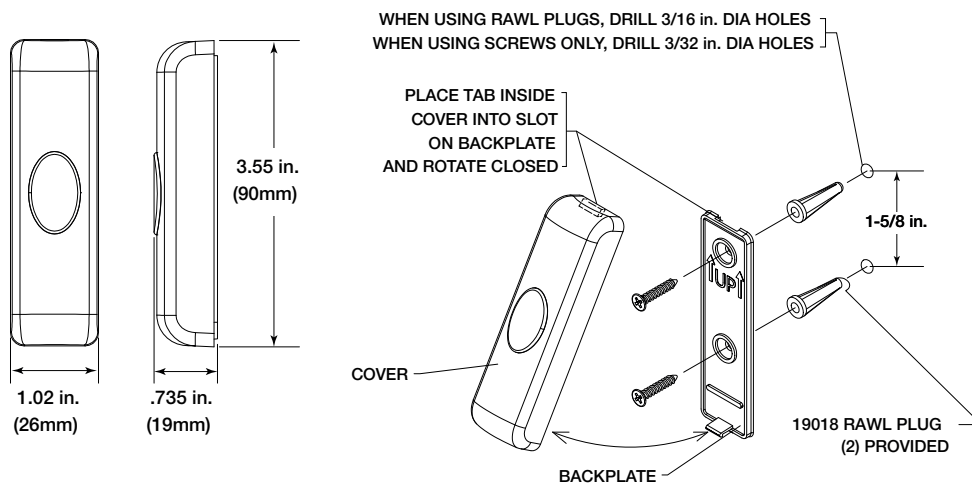
Dimensions and Technical Information

MODELS AVAILABLE

STI-34201	Mailbox Alert Sensor
STI-34301	Garage Sentry Sensor
STI-34401	Universal Alert Sensor
STI-34601	Wireless Doorbell Button
STI-6200WIR	Wireless Theft Stopper®
STI-6400WIR	Wireless Exit Stopper®
STI-6400WIR-G	Wireless Exit Stopper® - Green
STI-6402WIR	Wireless Exit Stopper® - for Double Doors/Red



STI-34201/STI-34301/STI-34401



STI-34601



Safety Technology International

Taylor House
34 Sherwood Road
Bromsgrove
Worcestershire
B60 3DR, England

Tel: +44 (0)1527 520 999
Fax: +44 (0)1527 501 999
info@sti-emea.com
www.sti-emea.com

2306 Airport Road
Waterford, Michigan
48327, USA

Tel: 248-673-9898
Fax: 248-673-1246
info@sti-usa.com
www.sti-usa.com