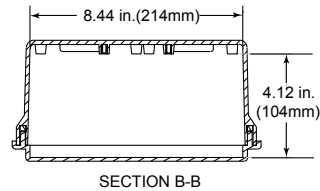
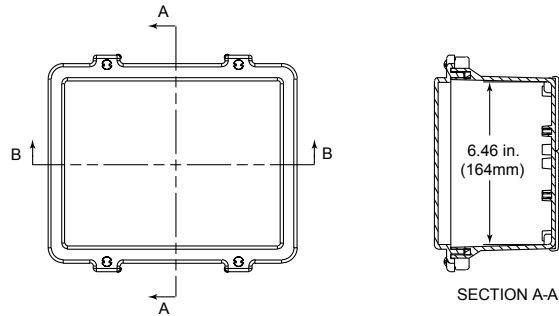




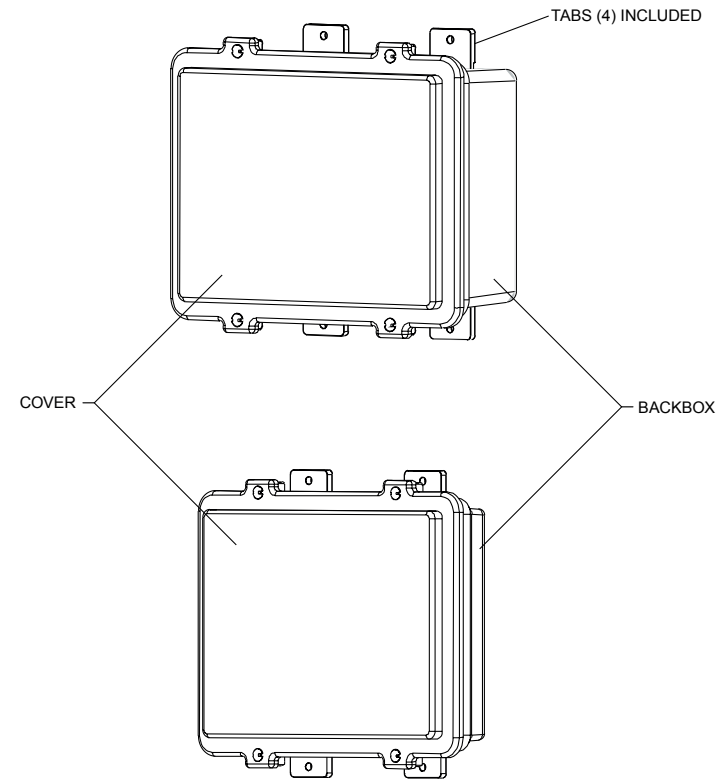
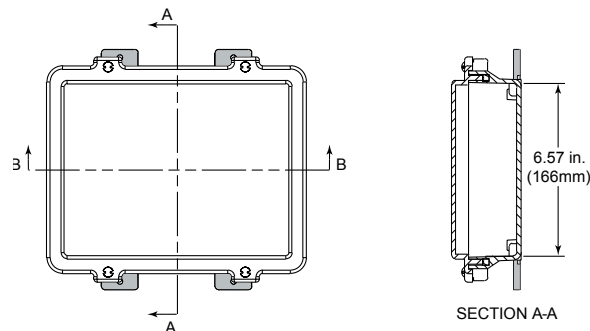
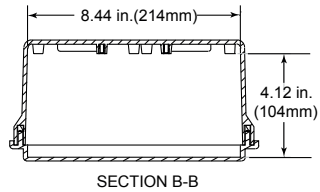
STI-7515A - Access Control Housing, wall mount, with "A" back box

STI-7515F - Access Control Housing, wall mount, with "F" back box

A MODELS



F MODELS



INSTALLATION INSTRUCTIONS:

1. Slide mounting tabs into tab slots in enclosure back box.
2. Hold enclosure to wall. Mark mounting holes.
3. Drill four (4) 1/4 in.(6.3mm) holes approximately 1 1/4 in. deep.
4. Insert rawl plugs. Fasten enclosure to wall.

Three year warranty or a one year limited warranty (from date of purchase) on most products. See website for details. Electronic warranty form at www.sti-usa.com/wc14.

INSTALLATION OF STI-7515 ACCESS CONTROL HOUSING

All specifications and information shown were current as of publication and are subject to change without notice.

