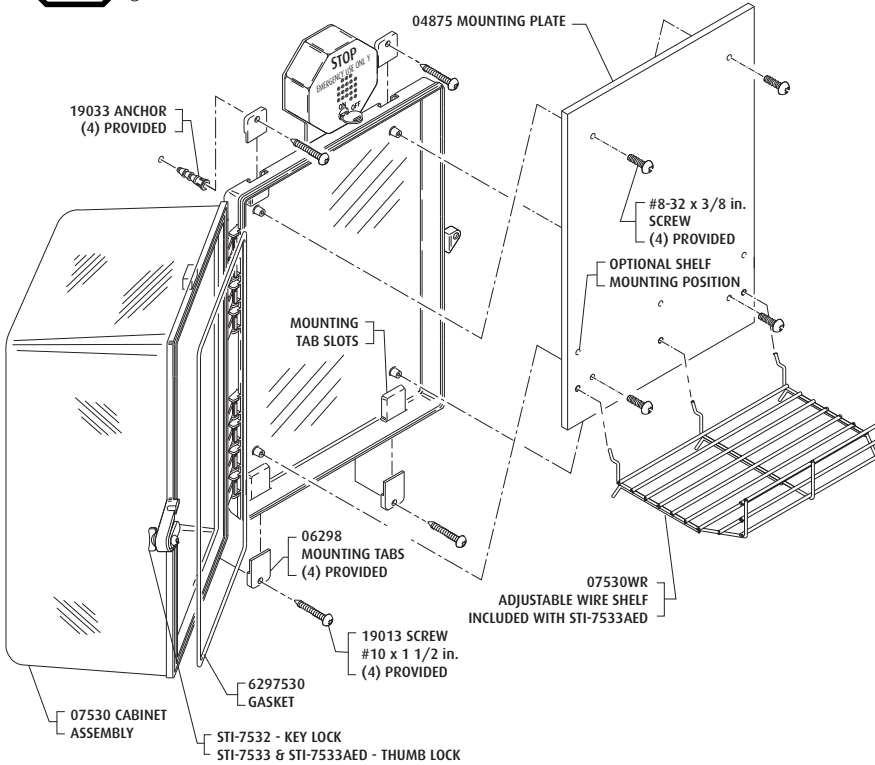




INSTALLATION OF STI-7532, STI-7533 & STI-7533AED PROTECTIVE CABINET

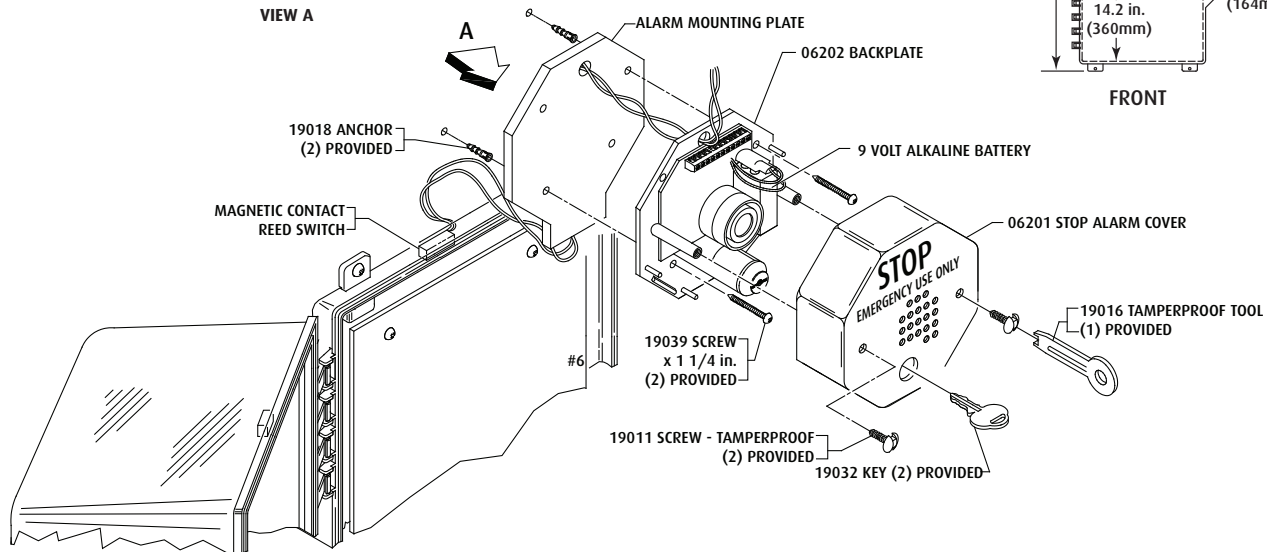
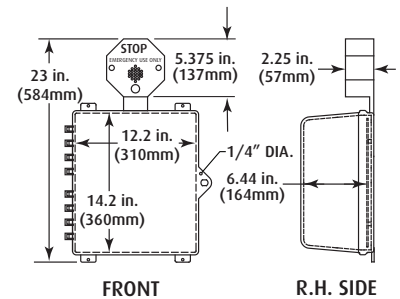
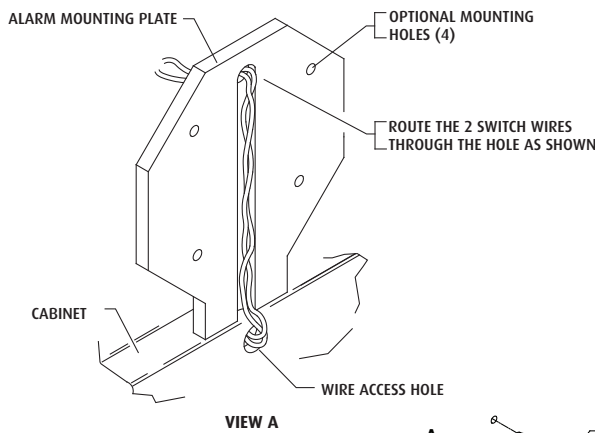


INSTALLATION OF CABINET

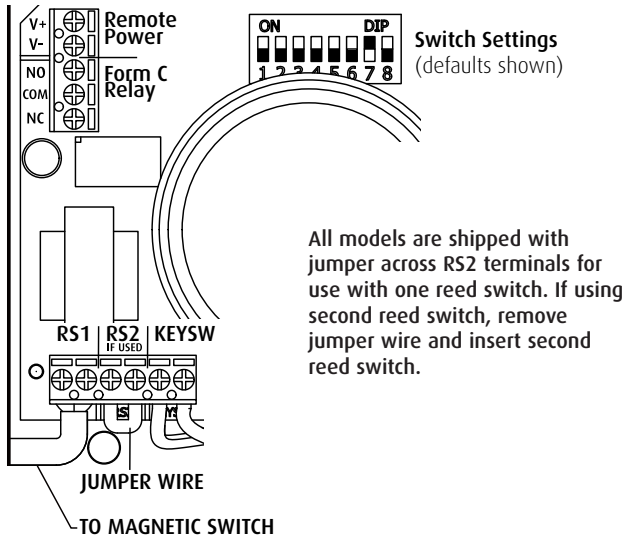
1. Insert the (4) 06298 mounting tabs fully into back box mounting tab slots. Use rubber mallet if necessary.
2. After selecting a suitable location, place cabinet in closed position, against the wall. Mark and drill (4) 1/4 in. diameter holes. Insert the (4) 19033 anchors.
3. Select one of the two shelf mounting locations, install shelf. Close and lock cabinet.
4. Place cabinet in position making sure the (2) switch wires are not pinched between the wall and cabinet. Drive in the (4) screws. Cabinet is now secure.

INSTALLATION OF ALARM ASSEMBLY

1. Place the alarm mounting plate on the top center of cabinet. Select at least two of the four optional mounting holes. Mark and drill 3/16 in. holes and install the 19018 anchors.
2. Fish the magnetic switch wires through the alarm mounting plate and the siren backplate (View A). Next, drive the two alarm mounting screws into the previously installed anchors.
3. Install the two magnetic switch wires following the terminal switch diagram (View B).
4. Install the alarm cover using the (2) tamperproof screws and provided tool.



CIRCUIT BOARD SET-UP



SWITCH SETTINGS	1	2	3	4	5	6	7	8
Arming - immediate	OFF*							
Arming - 15 second delay	ON							
Trip - immediate			OFF*					
Trip - 15 second delay			ON					
Shut-off based on duration (switches 4 & 5)				OFF*				
Shut-off approx. 3 sec. after door closes			ON					
Duration - 30 second alarm				OFF*	OFF*			
Duration - 180 second alarm				OFF	ON			
Duration - continuous alarm				ON	OFF			
Duration - annunciator mode				ON	ON			
Low battery detection on - Turn switch off						OFF*		
Low battery detection off - Turn switch on						ON		
Volume - high							ON*	
Volume - low							OFF	
Relay function → OFF								OFF*
Relay function → ON								ON

*default

WARNINGS

All units are recommended for indoor use. Unit must be tested periodically to verify the life of battery. STI recommends you change the battery twice a year. Duracell MN 1604 or equivalent recommended. Installer may need to purchase a simple audio-meter, typically available at your local electronics store, to measure the sound in areas where the alarm is expected to be heard during normal noise environment. Results from this test may prove it beneficial to purchase an additional alarm. When purchasing a remote unit (STI-6403) you will need to periodically test the connections to make sure audibles function at a sound level to alert staff. Maximum of three STI-6403 may be used in parallel. All specifications and information shown are current as of publication and subject to change without notice.

⚠ This product can expose you to chemicals including Bisphenol A, which is known to the State of California to cause reproductive harm and Dichloromethane, which is known to the State of California to cause cancer. For more information go to www.P65Warnings.ca.gov.

WARRANTY INFORMATION

Three year warranty or a one year limited warranty (from date of purchase) on most products. See website for details. Electronic warranty form at www.sti-usa.com/wc14.

SPECIFICATIONS

Electronics

Power source	9 VDC battery If not using, slide switch 6 "on"
Remote power input	12VDC - 24VDC, 300mA Installed battery will act as backup power if switch 6 is "off"
Horn volume	30 cm high volume 112dB; low volume 97dB 100 cm high volume 102dB; low volume 88dB
Low battery detection	Flash 1x / minute; beep 1x / 3 minutes
Relay contacts	0.5A 125VAC / 1A 30VDC
Stand by current	Battery <15µA (Battery Life approx. 2 years dependent on use) 12VDC <0.15mA 24VDC <1mA
Alarm current (volume high + relay)	<286mA @12VDC <149mA @24VDC
Operating temperature	14°F to 122°F (-10°C to 50°C)
Power "on" notification	2 flashes and 2 beeps
Power "off" notification	1 flash and 1 beep

Polycarbonate Alarm Cover

Dimensions	5.375" W x 5.375" H x 2" D (137mm x 137mm x 51mm)
Flammability:	UL94 V-2
Wall Thickness:	0.12 in (3.05mm)



Safety Technology International

2306 Airport Road • Waterford, Michigan 48327-1209
 Phone: 248-673-9898 • Toll Free: 800-888-4784
 Fax: 248-673-1246 • www.sti-usa.com

Safety Technology International (Europe)

Taylor House • 34 Sherwood Road • Bromsgrove
 Worcestershire • B60 3DR • England
 Tel: +44 (0)1527 520 999 • Fax: +44 (0)1527 501 999
info@sti-emea.com • www.sti-emea.com