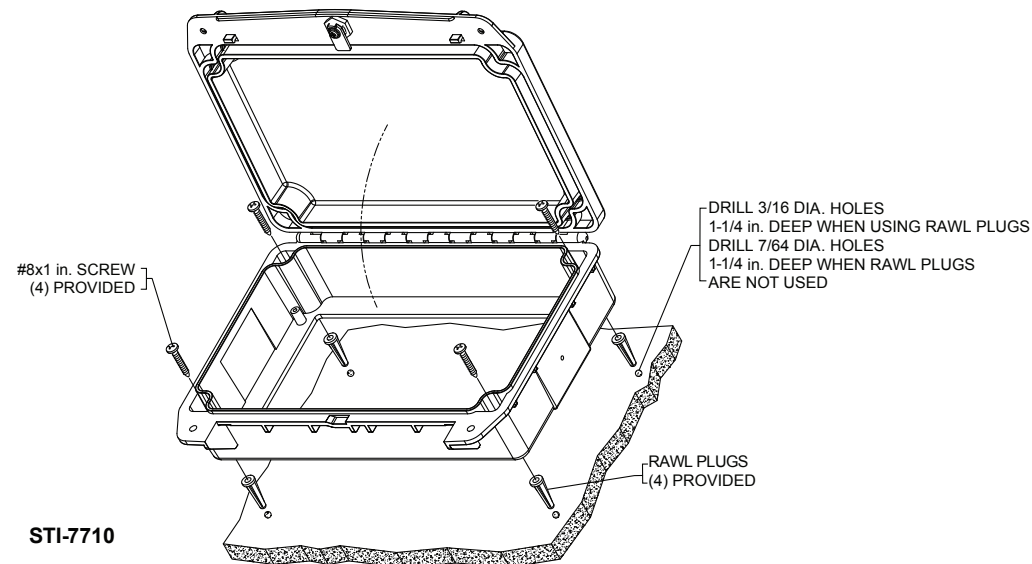
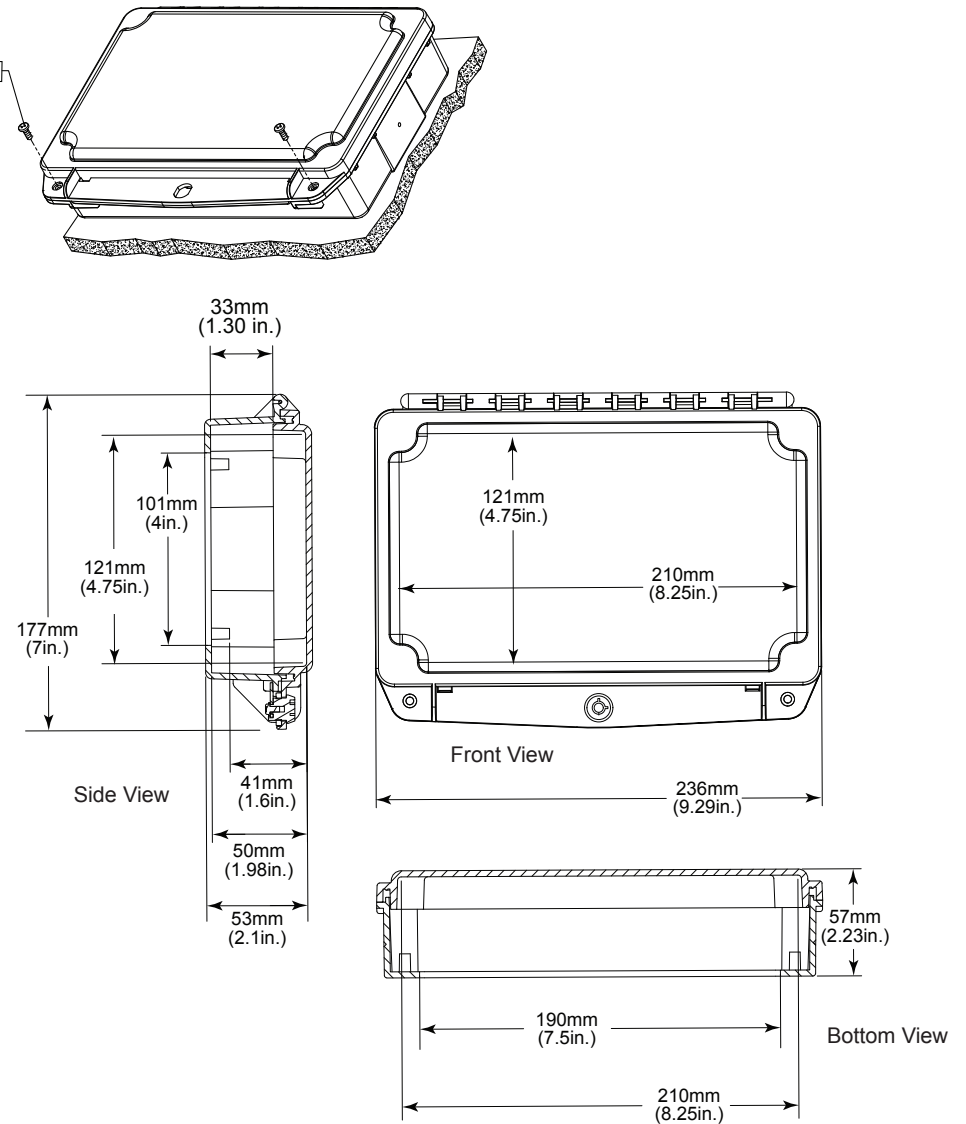


**STI-7700**



**STI-7710**



Electronic warranty form at [www.sti-usa.com/wc14](http://www.sti-usa.com/wc14)

**INSTALLATION OF STI-7700 & STI-7710 POLYCARBONATE COVER WITH OPEN SPACER**

All specifications and information shown were current as of publication and are subject to change without notice.