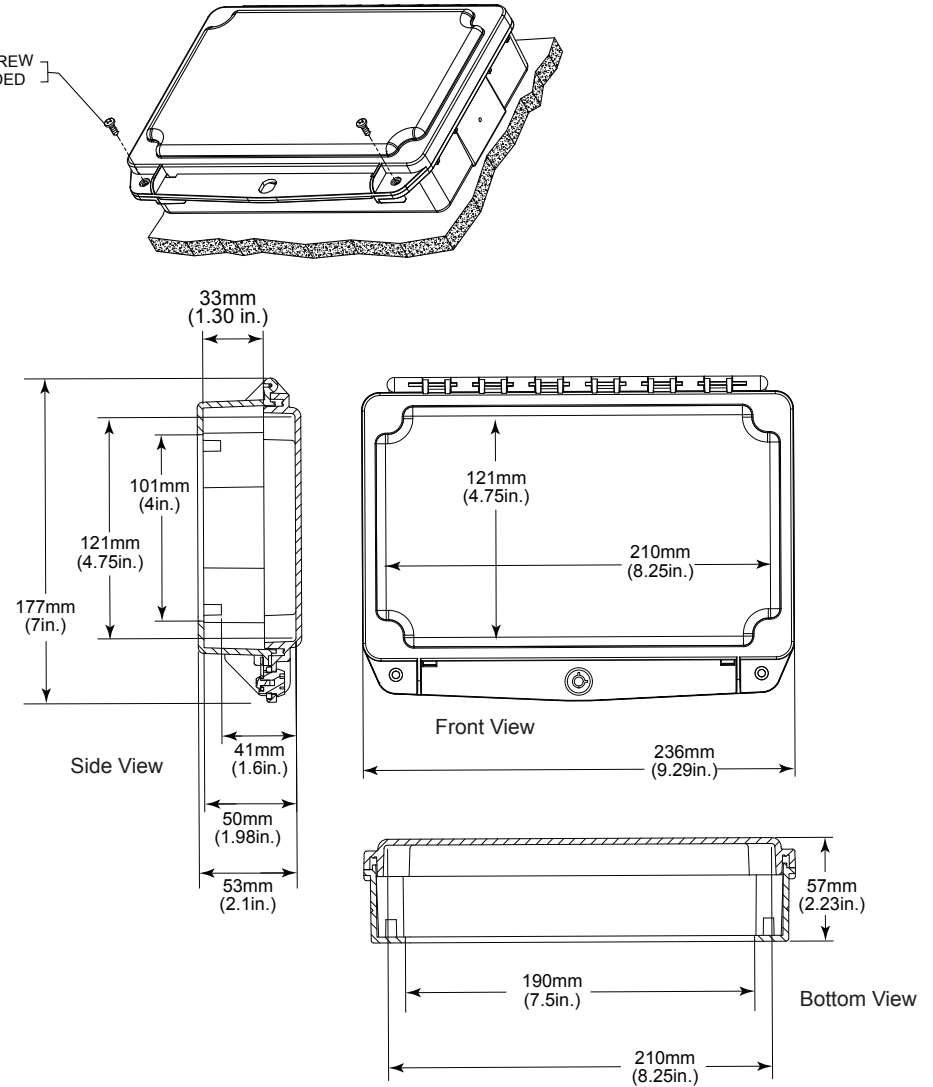


#6-32 x 3/8 in. MACHINE SCREW (2) PROVIDED



Electronic warranty form at www.sti-usa.com/wc14

INSTALLATION OF STI-7720 & STI-7730 POLYCARBONATE COVER WITH ENCLOSED SPACER

All specifications and information shown were current as of publication and are subject to change without notice.