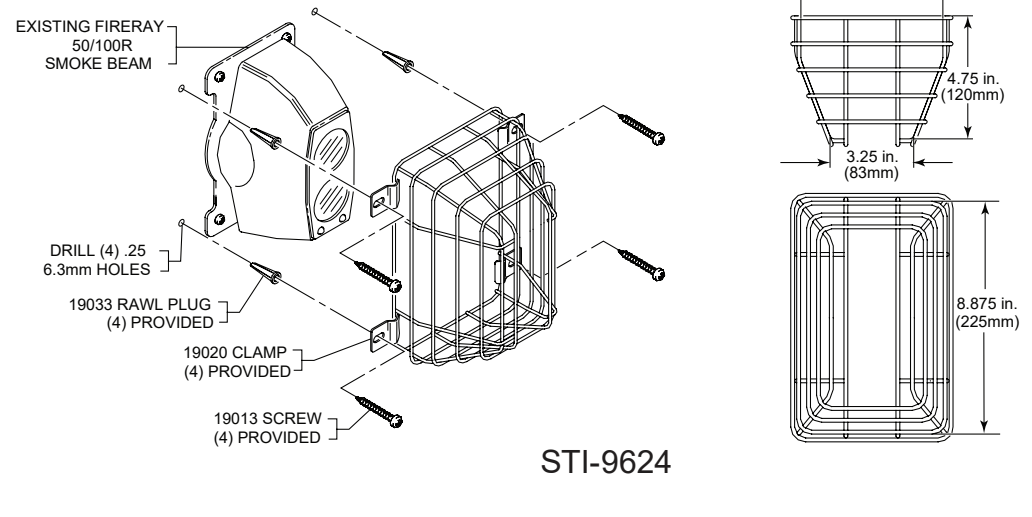


STI-9623



STI-9624

IMPORTANT:

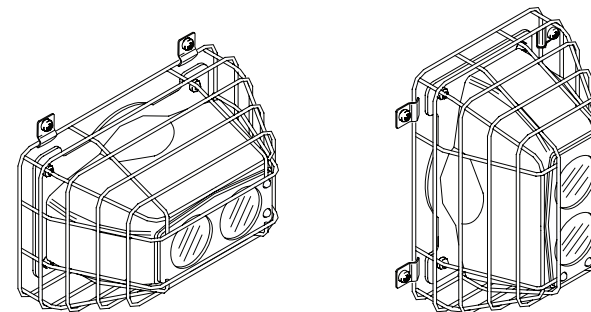
Do not attempt to install Beam Smoke wire guard until either the reflective beam smoke detector or both the emitter and receiver have been perfectly aligned according to the beam smoke installation instructions.

INSTALLATION:

1. Center the wire guard over existing unit, making sure cutout in wire guard is positioned over beam lens. Use caution not to hit or bump the detector.
2. Position one clamp. Mark, drill and install one clamp first then complete installation of remaining clamps. See pictorial for size.

Lag Bolts - If lag shields and lag bolts are used, make sure rawl plug is flush with surface. Position guard, insert lag bolt and tighten. Bolt should be selected to assure full thread engagement in rawl plug.

The STI-9623 guard may be spray painted prior to installation.



CAN BE MOUNTED VERTICALLY OR HORIZONTALLY

INSTALLATION OF STI BEAM SMOKE DAMAGE STOPPERS®

All specifications and information shown were current as of publication, and are subject to change without notice.