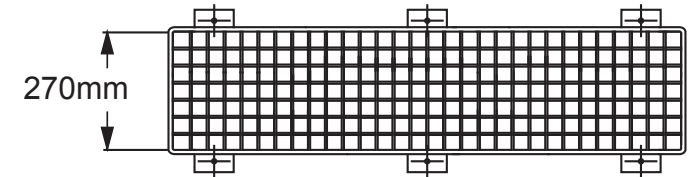
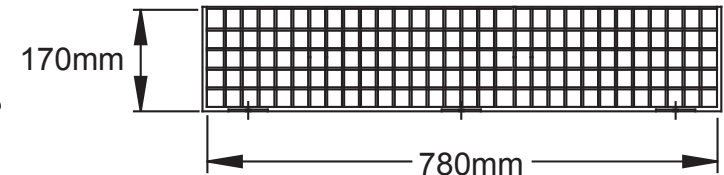




PRODUCT DIMENSIONS



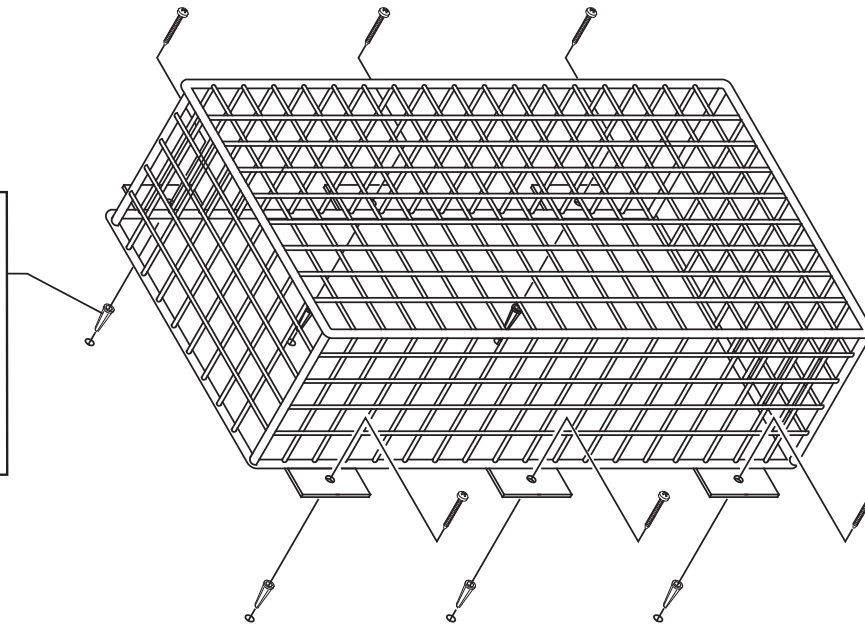
STI 9650 TOP VIEW



STI 9650 SIDE VIEW

DIMENSIONS SHOWN ARE INTERNAL

Centre cage over existing
appliance. Using mounting
tabs as template, drill (6)
7mm dia. holes and insert
rawl plugs (if required).
Complete installation.



Three year warranty or a one year limited warranty (from
date of purchase) on most products. See website for details.
Electronic warranty form at www.sti-usa.com/wc14.

INSTALLATION OF STI-9650

All specifications and information shown were current as of publication and are subject to change without notice.

9650IS May2017

