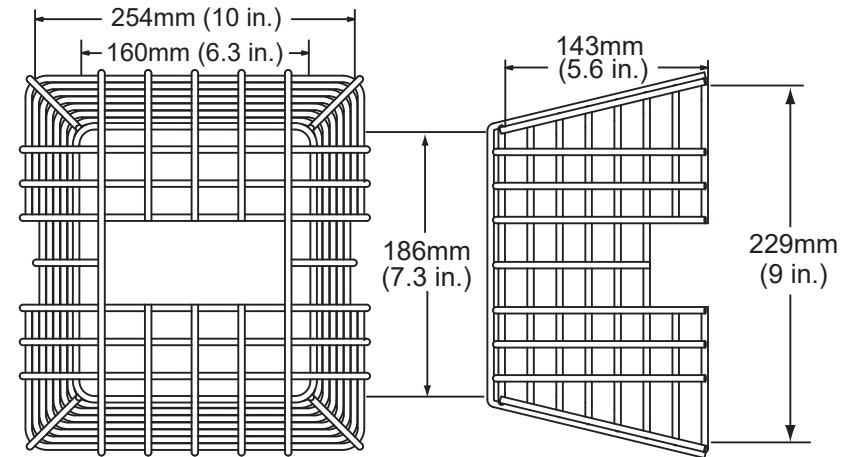
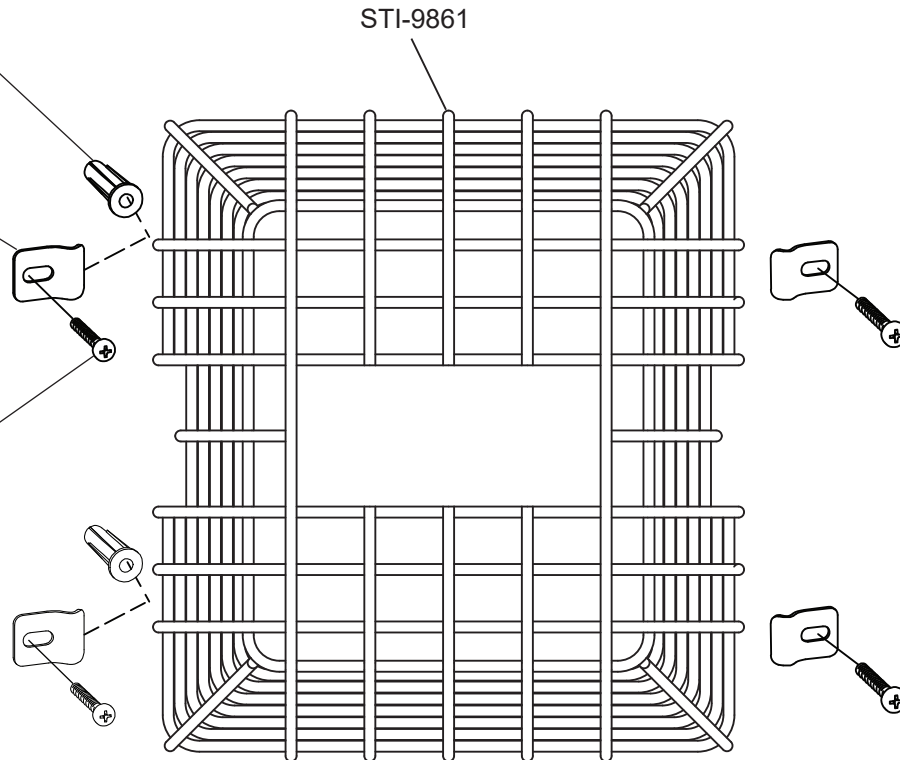




19033 #10-12 RAWL PLUG
DRILL 1/4 in. HOLES
(4) PROVIDED

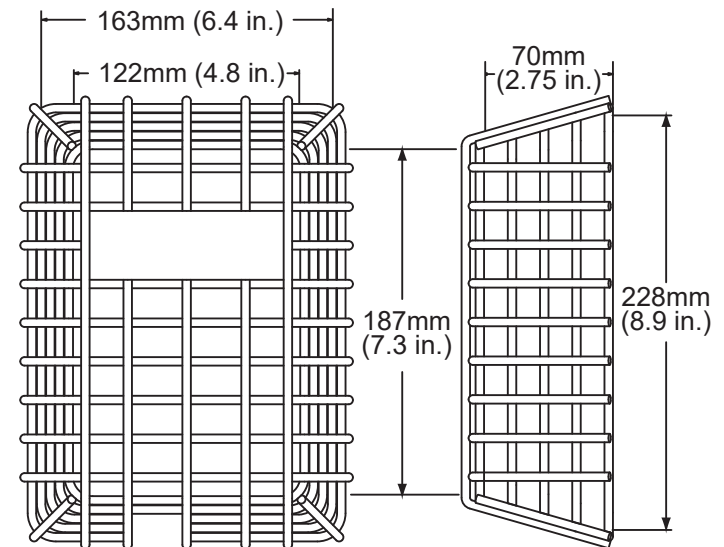
19020 WIREGUARD
BRACKET
(4) PROVIDED

19013 #10 x 1.5 SMS
(4) PROVIDED



STI 9861
FRONT VIEW

STI 9861
SIDE VIEW



STI 9862
FRONT VIEW

STI 9862
SIDE VIEW

INSTALLATION:

1. Centre guard over device.
2. Place first clip in desired location and mount.
3. Locate remaining clips and attach.

INSTALLATION OF STI-9861 & STI-9862 Smoke Beam Damage Stopper for The Firebeam™

All specifications and information shown were current as of publication and are subject to change without notice.