

# STI Select-Alert



STI-SA5000-R



STI-SA5000-G



STI-SA5000-W



STI-SA5000-A



STI-SA5000-B

## PRODUCT OVERVIEW

This controller helps prevent unauthorised use of important devices. The STI Select-Alert is a highly effective way to alert you to unauthorised use, theft or vandalism of important devices. The combination of alarm and super bright LEDs also offers excellent protection for an array of circumstances and allows the user to choose its function. Select-Alert can be used as a cabinet alarm, door/exit alarm, flashing light linked with a push button/switch, tornado siren, burglar alarm or an alert for any type of emergency situation.

## HOW IT WORKS

If the protected unit is opened, the electronic Select-Alert emits a selected ear piercing siren and the LEDs flash – drawing attention in a hurry. The alarm and strobe have independent timing choices of: 15 seconds, 30 seconds, 60 seconds or continuous. Select-Alert can be powered by a 9 VDC battery or external 12-30 volts. Flush or surface mounted Select-Alert is available in amber, green, blue, red or white.

## KEY FEATURES

### General Information

- This controller helps prevent unauthorised use of important devices.
- Three year guarantee against breakage of polycarbonate in normal use (one year on electromechanical and electronic components).

### Design

- Both a visual and audible alarm, it can serve as an inexpensive way to protect valuable units against theft and vandalism.
- Can be used as a cabinet alarm, door alarm, linked with push button/switch or as a burglar alarm.

### Construction

- Polycarbonate is UV-stabilised.

### Installation

- Highly versatile, includes a tamper switch which prevents it from being removed from a wall.

### Electronics

- 9 VDC battery or external 12 - 30 volts input power options, allows independent strobe and siren timing of 15 seconds, 30 seconds, 60 seconds or continuous. One Form "C" dry relay contact output.

### Options

- Additional white mounting plate with key switch or white 40mm back box.
- May be set for a piercing 100 dB alarm or a softer 85 dB.
- Super bright flashing LED.
- Low battery indicator.

# STI Select-Alert

## Dimensions and Technical Information

### MODELS AVAILABLE

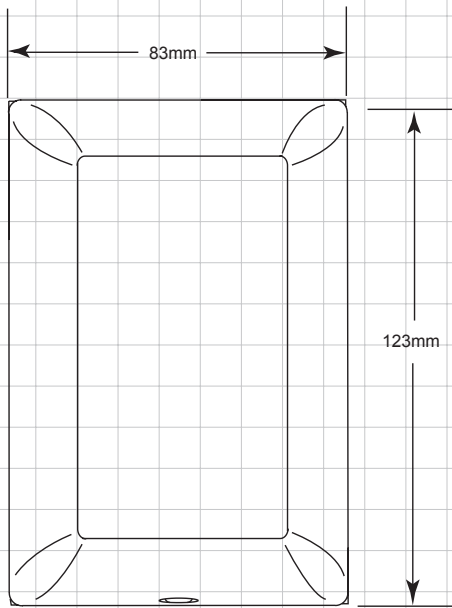
- STI-SA5000-A** Select-Alert in amber
- STI-SA5000-B** Select-Alert in blue
- STI-SA5000-G** Select-Alert in green
- STI-SA5000-R** Select-Alert in red
- STI-SA5000-W** Select-Alert in white

#### Accessories:

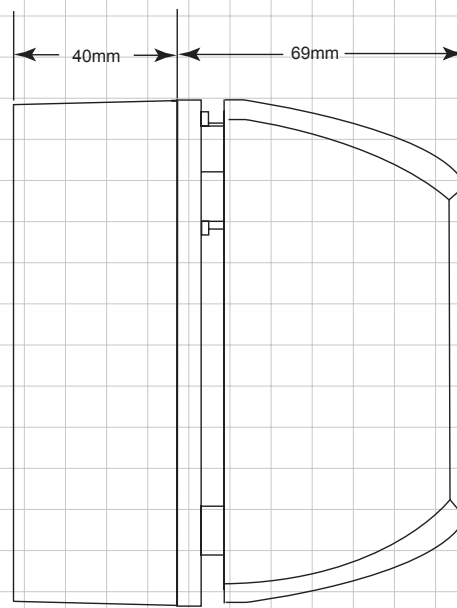
- KIT-71100 A-W** Back box kit
- KIT-H18075** Replacement key for Select-Alert alarm
- KIT-E18151** N.C. reed switch and magnet
- KIT-SA505** Key switch mounting bracket (includes key switch)
- BAT 9VDC** 9 volt battery
- KIT-H19016** Tamper proof screw and wrench

### SPECIFICATIONS

<b>Operating voltage</b>	Internal 9 VDC battery (not included) Remote power 12-30 VDC
<b>Power Consumption</b>	Stand by: 50µA Siren low volume: 85mA Siren high volume: 90mA Strobe: 25mA
<b>Siren Volume</b>	Low: 85 dB High: 100 dB
<b>Alarm &amp; Strobe Timing</b>	Independent control for siren and strobe: 15s, 30s, 60s and continuous
<b>Low Battery Warning</b>	LEDs flash once every 30 seconds
<b>Form C dry contacts</b>	0-30VAC/DC, 1 Amp Contacts reset after longest alarm setting
<b>Key switch</b>	Alarm on: normally closed
<b>Alarm switch</b>	Stand by: normally open contact required
<b>Alarm tone</b>	32 selectable sounds



SA5000 Front View



SA5000 Side View



**Safety Technology  
International**

Taylor House  
34 Sherwood Road  
Bromsgrove  
Worcestershire  
B60 3DR, England

Tel: +44 (0)1527 520 999  
Fax: +44 (0)1527 501 999  
info@sti-emea.com  
www.sti-emea.com

2306 Airport Road  
Waterford, Michigan  
48327, USA

Tel: 248-673-9898  
Fax: 248-673-1246  
Toll-free: 0800-888-4784  
info@sti-usa.com  
www.sti-usa.com