

Stopper[®] Station Series



PRODUCT OVERVIEW

These UL listed, multipurpose push button switches cover a wide range of applications both indoors and outdoors (SS2xx7 models only without a cover, all other models require a weatherproof cover for outdoor use). They incorporate a unique, patented design that helps dramatically to prevent accidental activations. A number of standard models are available or custom units can be created to meet specific needs. There are six colour options, ten button activation choices, and the option of standard or custom text in any language.

Because of their superior, patented design combined with quality construction throughout, you can expect outstanding performance for years to come. Protect the switches with an STI protective cover, which carry a three year guarantee against breakage in normal use, one year on electro mechanical and electronic components. For indoor applications, you can order your Stopper Station with a pre-alarm cover to help prevent malicious and accidental activation.

KEY FEATURES

General Information

- Multipurpose push button switches cover a wide range of applications both indoors and outdoors.
- Three year guarantee against breakage of polycarbonate in normal use (one year on electro mechanical and electronic components).

Design

- Unique, curved design helps protect against accidental activation.

Construction

- Station housing moulded of tough polycarbonate.
- UL Listed to U.S. and Canadian safety standards (excludes pneumatic SS2xx8).
- Stainless steel backplate.
- Push buttons are ADA Compliant (excludes SS2xx8).

Installation

- New dual mount can fit industry standard UK, EMEA and USA flush mount electrical boxes.
- All models are supplied with a 12mm worldwide mounting plate/ spacer as standard.
- Various mounting options for US flush, worldwide flush and worldwide surface mounting. See reverse.
- 5VA flammability rating on backplate and spacer.
- Typical working properties of polycarbonate are -40°C to 121°C (-40°F to 250°F).
- Polycarbonate complies with FDA regulations for food contact applications.

Options

- Colour choices: red, green, yellow, white, orange or blue.
- Standard or custom text option.
- Custom text in any language.
- Protect with STI indoor/outdoor protective covers.

STI Stopper®Station Series

Dimensions and Technical Information

BUILD YOUR OWN MODEL

Housing Colour:
 00 = Red
 10 = Green
 20 = Yellow
 30 = White
 40 = Blue
 50 = Orange

Activation:
 0 = Key-to-Reset *not available in Orange*
 1 = Turn-to-Reset
 2 = Key-to-Reset (Illuminated)
 3 = Key-to-Activate
 4 = Momentary
 5 = Momentary (Illuminated)
 6 = Momentary (Illuminated)
 7 = Weather Resistant Momentary (Illuminated)
 8 = Pneumatic
 9 = Turn-to-Reset (Illuminated)

Text:
 AB = ABORT
 EM = EMERGENCY
 EX = EMERGENCY EXIT
 PO = EMERGENCY POWER OFF
 ES = EMERGENCY STOP
 EV = EVACUATION
 XT = EXIT
 PS = FUEL PUMP SHUT DOWN
 HV = HVAC SHUT DOWN
 LD = LOCKDOWN
 PX = PUSH TO EXIT
 NT = No Text
ZA = Custom Text

Language:
 EN = English
 ES = Spanish
 FR = French
 ZL = Other Language



PLEASE NOTE:
 All Stopper Stations are supplied with a 12mm Worldwide Mounting Plate/Spacer to allow flush mounting as standard. To surface mount, please consider the button mechanism depth and consult the backbox options below.
Surface mount options must be purchased separately.

- Accessories**
- KIT-71100A-* Surface Back Box
 - KIT-71101B-* Surface Back Box with 12mm Mounting Spacer
 - KIT-102720-* Replacement 12mm Worldwide Mounting Plate/Spacer (one supplied with each model as standard)
- *Colour Options: -R = Red, -G = Green, -E = Orange, -Y = Yellow, -W = White, -B = Blue*
- Note: See table below for mounting requirements for each Activation Type**
- LT-1UL UL Latching/Timer Module *Not for Pneumatic models*
 - STI-6517 Stopper®Station Shield
 - KIT-E10196 N.O. contact for 0, 1, 3 or 4 switch
 - KIT-M10197H Replacement contact holder for 0, 1, 3 & 4 switch
 - KIT-E10198 N.C. contact for 0, 1, 3 or 4 switch
 - KIT-H19030 Two Extra Keys for Activation Option #0
 - KIT-H18061 Two Extra Keys for Activation Option #2
 - KIT-H18062 Two Extra Keys for Activation Option #3

Approvals & warranty

TESTING
 It has been tested and approved or listed by:

- UL/cUL File No. S7255, excludes SS2xx8 models.
- UL/cUL Type NM suitable for indoor or outdoor use without a cover, SS2xx7 only.
- UL 294 (models used with LT-1UL).
- CSA C22.2 No. 205, excludes SS2xx8 models.
- ADA Compliant (excludes SS2xx3 models).
- SS2xx8 models: UL recognised component UL508, indoor use only.

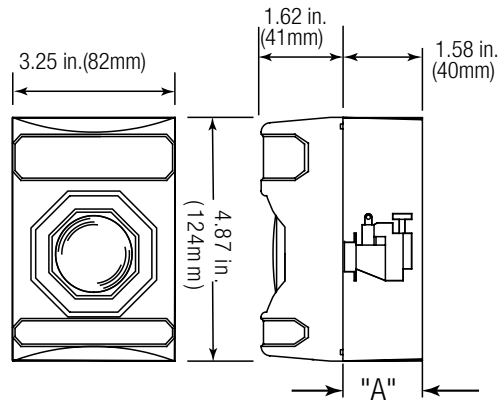
WARRANTY
 Three year guarantee against breakage of polycarbonate in normal use (one year on electro mechanical and electronic components).

CUSTOMISE YOUR TEXT - text option ZA.
CUSTOM TEXT FOR TOP OF HOUSING SHELL: 1 LINE, 13 CHARACTERS MAXIMUM
 2 LINES, 20 CHARACTERS EACH (INCLUDES SPACES)
CUSTOM TEXT FOR BOTTOM OF HOUSING SHELL: 1 LINE, 20 CHARACTERS MAXIMUM
NOTE:
 White, Orange & Yellow Buttons are supplied with black text
 Blue, Red & Green Buttons are supplied with white text

Contact Depth "A"	mm	inches	Contact Depth "A"	mm	inches
SS2xx0	54.864	2.16	SS2xx5	25.4	1.00
SS2xx1	51.816	2.04	SS2xx6	22.225	0.875
SS2xx2	25.4	1.00	SS2xx7	22.225	0.875
SS2xx3	54.102	2.13	SS2xx8	35.56	1.4
SS2xx4	51.816	2.04	SS2xx9	25.4	1.00

Button Mounting & Covers Options
 denotes minimum mounting requirement for Activation Type selected.
 denotes additional mounting options available for Activation Type selected.

12mm Mounting Plate/Spacer (supplied as standard)	Surface Mount Back Box Only (KIT-71100A-*)	Surface Mount Back Box & Spacer (KIT-71101B-*)	Activation Type	StopperStation Shield	Universal Stopper® Surface Mount	Universal Stopper® Flush Mount
		<input checked="" type="checkbox"/>	0	<input checked="" type="checkbox"/>	<input checked="" type="checkbox"/>	
		<input checked="" type="checkbox"/>	1	<input checked="" type="checkbox"/>	<input checked="" type="checkbox"/>	
<input checked="" type="checkbox"/>	<input checked="" type="checkbox"/>		2	<input checked="" type="checkbox"/>	<input checked="" type="checkbox"/>	<input checked="" type="checkbox"/>
		<input checked="" type="checkbox"/>	3	<input checked="" type="checkbox"/>	<input checked="" type="checkbox"/>	
		<input checked="" type="checkbox"/>	4	<input checked="" type="checkbox"/>	<input checked="" type="checkbox"/>	
<input checked="" type="checkbox"/>	<input checked="" type="checkbox"/>		5	<input checked="" type="checkbox"/>	<input checked="" type="checkbox"/>	<input checked="" type="checkbox"/>
<input checked="" type="checkbox"/>	<input checked="" type="checkbox"/>		6	<input checked="" type="checkbox"/>	<input checked="" type="checkbox"/>	<input checked="" type="checkbox"/>
	<input checked="" type="checkbox"/>		7	<input checked="" type="checkbox"/>	<input checked="" type="checkbox"/>	
<input checked="" type="checkbox"/>	<input checked="" type="checkbox"/>		8	<input checked="" type="checkbox"/>	<input checked="" type="checkbox"/>	<input checked="" type="checkbox"/>
<input checked="" type="checkbox"/>	<input checked="" type="checkbox"/>		9	<input checked="" type="checkbox"/>	<input checked="" type="checkbox"/>	<input checked="" type="checkbox"/>



Safety Technology International

Taylor House
 34 Sherwood Road
 Bromsgrove
 Worcestershire
 B60 3DR, England

Tel: +44 (0)1527 520 999
 Fax: +44 (0)1527 501 999
 info@sti-emea.com
 www.sti-emea.com

2306 Airport Road
 Waterford, Michigan
 48327, USA

Tel: 248-673-9898
 Fax: 248-673-1246
 Toll-free: 0800-888-4784
 info@sti-usa.com
 www.sti-usa.com