

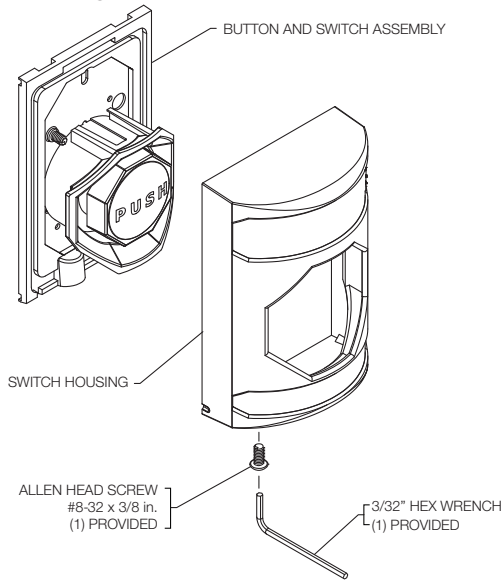


Safety Technology International

European Office
Taylor House • 34 Sherwood Road • Bromsgrove
Worcestershire • B60 3DR • England
Tel: 44 (0) 1527 520 999 Fax: 44 (0) 1527 501 999
E-mail: info@sti-emea.com • Web: www.sti-emea.com

USA - Headquarters
2306 Airport Road • Waterford, Michigan 48327-1209
Phone: 248-673-9898 • Fax: 248-673-1246
E-mail: info@sti-usa.com • Web: www.sti-usa.com

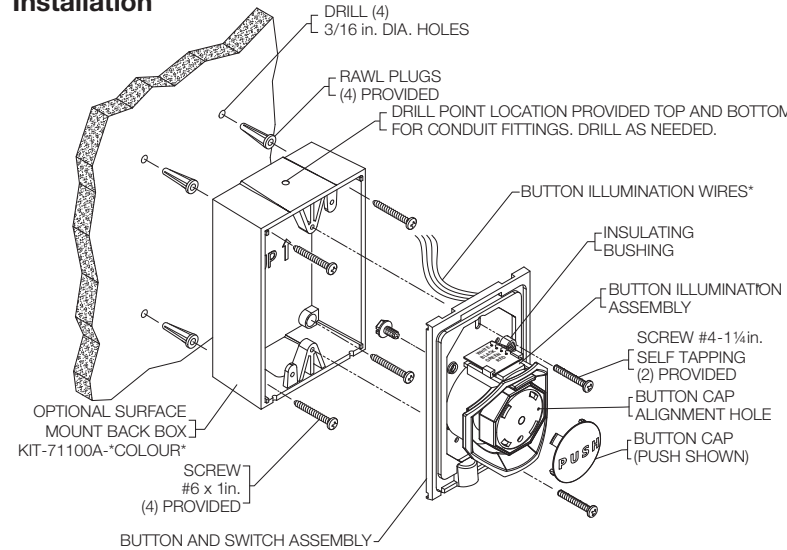
Housing Removal



PULL BOTTOM OF HOUSING OUT AND LIFT UP UNTIL TABS ARE RELEASED FROM SLOTS IN TOP OF SWITCH ASSEMBLY.

ONCE INSTALLATION IS COMPLETE, SECURE COVER WITH SCREW AND HEX WRENCH (SHOWN).

Installation

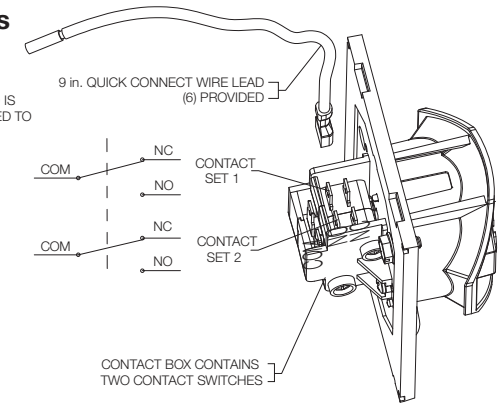


NOTE
ADA MOUNTING COMPLIANCE REQUIRES THE OPERABLE PART OF THE INITIATING DEVICE SHALL NOT BE LESS THAN 1.1 m (3 1/2 ft.) OR GREATER THAN 1.37m (4 1/2 ft.) ABOVE FINISHED FLOOR SURFACE.

*BUTTON ILLUMINATION WIRING
12-24 VAC/VDC, 21mA (power supply not included) EACH COLOR
BLACK - GROUND
WHITE - WHITE LED (+)
GREEN - GREEN LED (+)
RED - RED LED (+)

Wire Connections

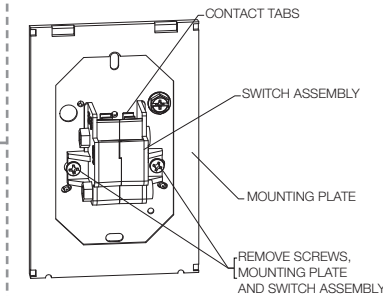
⚠
MAKE SURE LEAD IS FULLY CONNECTED TO MOUNTING TAB



On Site Button Reconfiguration

Stopper Station button is configured as ordered. If needed, installer can reconfigure function to: Key-to-Reset, Momentary or Turn-to-Reset.

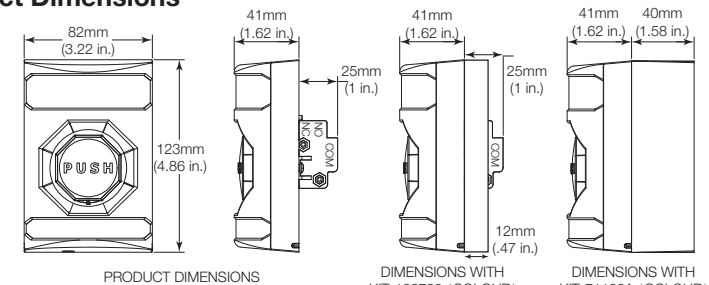
Changing Push Button Function



1. Remove contact block screws from mounting plate.
2. To change button function remove the plate and use directions provided.
3. Reassemble backplate and contact box (ensure contact tabs are facing up as shown).
4. If reconfiguring from Turn-to-Reset, remove Turn-to-Reset label.

Note: If you remove stop pin and wedge block, consider keeping for potential future use.

Product Dimensions



Safety Notice to Installers and Users

SS2xx2, SS2xx5 & SS2xx9 models

This push button has been tested according to UL2017. It is important to read, understand and follow all instructions provided with this product. Non-fire alarm initiating devices are listed in UL category UEHX. It is the installer's responsibility to comply with NEC and Canadian electrical code, mounting specifications according to ADA and other applicable fire and electrical codes. To avoid electrical shock, DO NOT attempt to install this product when power is on. To avoid possible confusion with fire alarm initiating devices, do not mount a red stopper station near a manual fire alarm initiating device. ADA mounting compliance requires the operable part of the initiating device shall not be less than 1.1m (3 1/2 ft.) or greater than 1.37m (4 1/2 ft.) above finished floor service. After installation and testing are complete, provide a copy of this manual to all personnel responsible for testing and maintenance of this product. Push buttons for outdoor use must be mounted with STI outdoor rated covers.

SS2xx8 models

It is important to read, understand and follow all instructions provided with this product. It is the installer's responsibility to comply with NEC, Canadian Electrical Code, mounting specifications according to ADA and other applicable fire and electrical codes. After installation and testing are complete, provide a copy of this manual to all personnel responsible for testing and maintenance of this product. To avoid electrical shock, DO NOT attempt to install this product when power is on. **Note:** To reduce potential risk, STI discourages use of a pneumatic timer button as an emergency power disconnect or any control that may restart automatically at the end of the timing sequence.

NOTE For LTUL Models, Form "C" contacts on timer, Rated 30 VDC 3A, the enclosed timer is to be used and installed per the enclosed LT-1UL installation sheet. LTUL Models, Form "C" contacts on timer, Rated 30 VDC 3A maximum rating 30 VDC 3A. For access control installations, power for the LT-1 Timer must be supplied by a power source listed to UL294. When used for access control, this device shall be used as part of an access controlled egress door system. It is up to the local AHJ to allow use of this device in place of an automatic sensor. For higher security installations, lower time limits should be used.

INSTALLATION OF SS-2xx2, 2xx5, 2xx8 and 2xx9 SERIES STOPPER® STATION

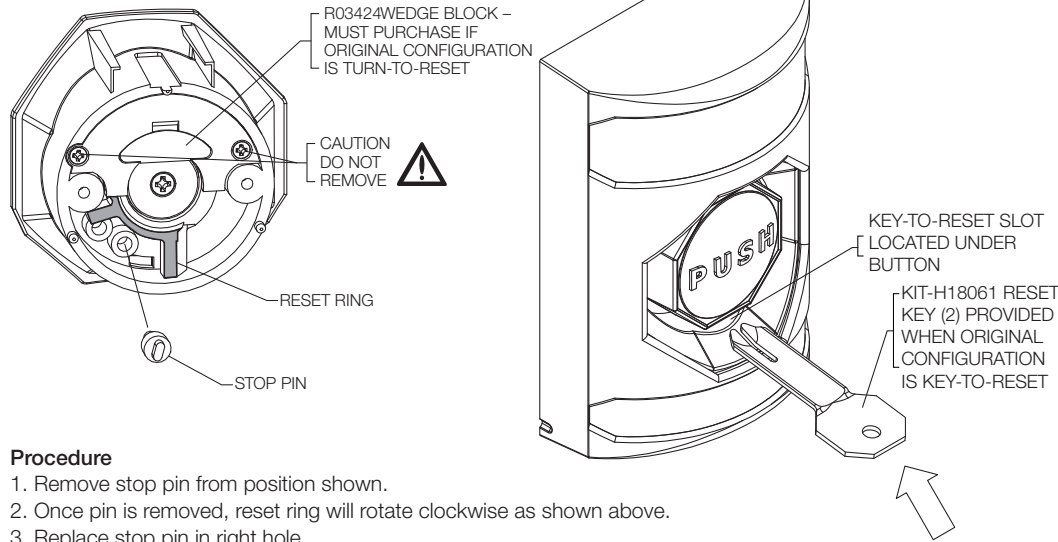
All specifications and information shown were current as of publication and are subject to change without notice.



Excludes SS2xx8



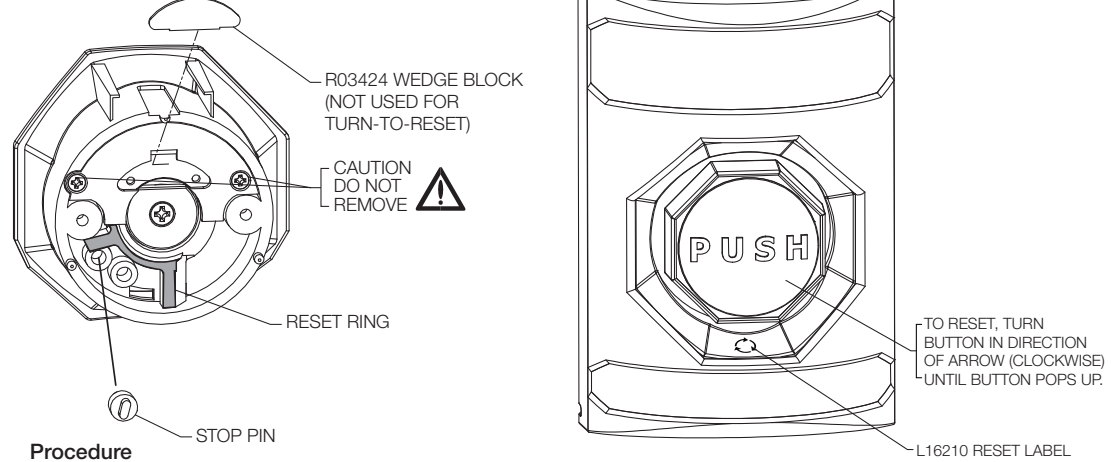
**Button Function Set-up – Key-To-Reset
Models SS2xx2**



Procedure

1. Remove stop pin from position shown.
2. Once pin is removed, reset ring will rotate clockwise as shown above.
3. Replace stop pin in right hole.
4. Call STI for wedge block if original configuration is Turn-to-Reset.
5. If converting from Turn-to-Reset or momentary, call STI for key (KIT-H18061).

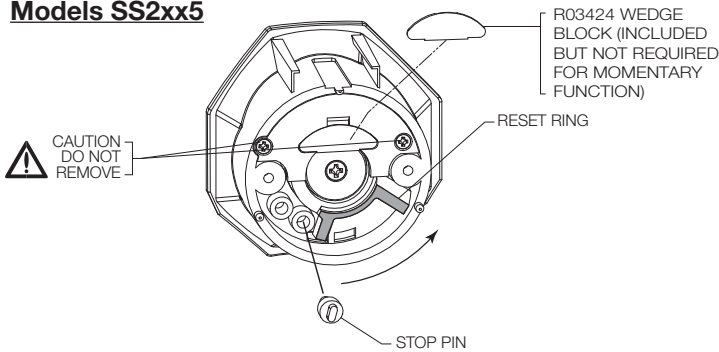
**Button Function Set-up – Turn-To-Reset
Models SS2xx9**



Procedure

1. Remove wedge block.
2. Remove stop pin from right hole.
3. Reset ring will rotate clockwise as shown.
4. Place stop pin in left hole.
5. If converting from either momentary or Key-to-Reset, call STI for reset label (L16210).

**Button Function Set-up - Momentary
Models SS2xx5**



Procedure

1. Rotate reset ring counterclockwise as shown above.
2. Place stop pin in position shown.
3. If converting from Key-to-Reset, disregard key.

**Button Function Set-up – Pneumatic
Models SS2xx8**

Contact Rating

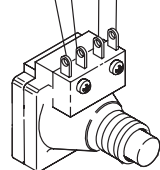
One set NO and one set NC
Rated at 10 AMP @ 240 VAC
Recognized Component listing is 1,000,000 cycles

Operating Temperature of button 15° to 120°F (-9° to 49°C)

Contact Diagram

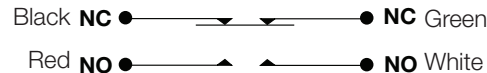
CONNECTION AND LEAD WIRE COLOUR CODE

(BLACK) NC NC (GREEN)
(RED) NO NO (WHITE)



Contacts

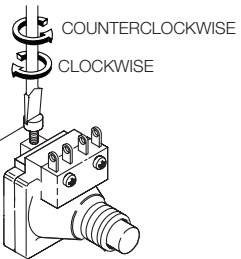
One set NO and one set NC



INSTALLATION NOTES

1. ADA mounting compliance requires the operable part of the initiating device shall not be less than 1.1m (3 1/2 ft.) or greater than 1.37m (4 1/2 ft.) above finished floor service.
2. The continuity of the conduit system (if applicable) shall be maintained.

Switch Information



**TIMER RANGE ADJUSTMENT SCREW
ADJUSTMENT RANGE - 2 TO 60 SECONDS**

TIMER FACTORY SET TO MINIMUM TIME SETTING. TO INCREASE TIME, TURN SCREW CLOCKWISE IN 1-4 TURN INCREMENTS. WHEN CLOSE TO DESIRED TIME, TURN SCREW IN VERY FINE INCREMENTS TO DESIRED SETTING.
CAUTION: OVER-TIGHTENING MAY CAUSE DAMAGE TO TIMER.

WARNING: This product can expose you to chemicals including Dichloromethane, which is known to the State of California to cause cancer, and Bisphenol A (BPA) which is known to the State of California to cause birth defects or other reproductive harm. For more information go to www.P65Warnings.ca.gov.

INSTALLATION OF SS-2xx2, 2xx5, 2xx8 and 2xx9 SERIES STOPPER®STATION

All specifications and information shown were current as of publication and are subject to change without notice.