



**Safety Technology
International**

European Office
Taylor House • 34 Sherwood Road • Bromsgrove
Worcestershire • B60 3DR • England
Tel: 44 (0) 1527 520 999 Fax: 44 (0) 1527 501 999
E-mail: info@sti-emea.com • Web: www.sti-emea.com

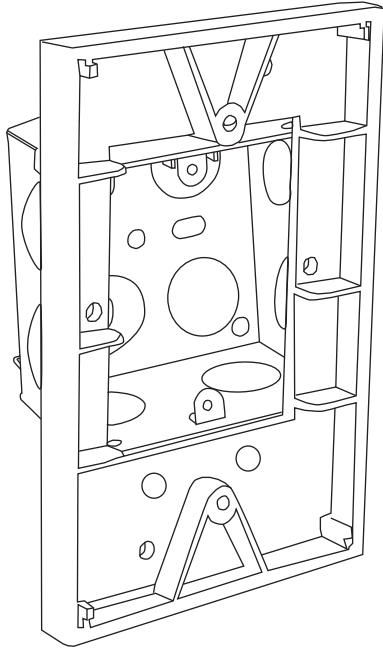
USA - Headquarters
2306 Airport Road • Waterford, Michigan 48327-1209
Phone: 248-673-9898 • Fax: 248-673-1246
Toll Free: 800-888-4784 • E-mail: info@sti-usa.com
Web: www.sti-usa.com

Flush Mount Installations

KIT-102720-*colour*

12mm Worldwide Mounting Plate/Spacer

Supplied as standard with all button types

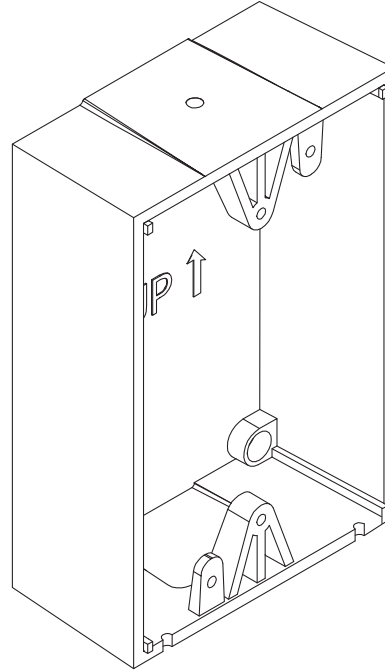


Suitable for SS2xx2, SS2xx5,
SS2xx6, SS2xx8 and SS2xx9

Surface Mount Installations

KIT-71100A-*colour*

Back Box



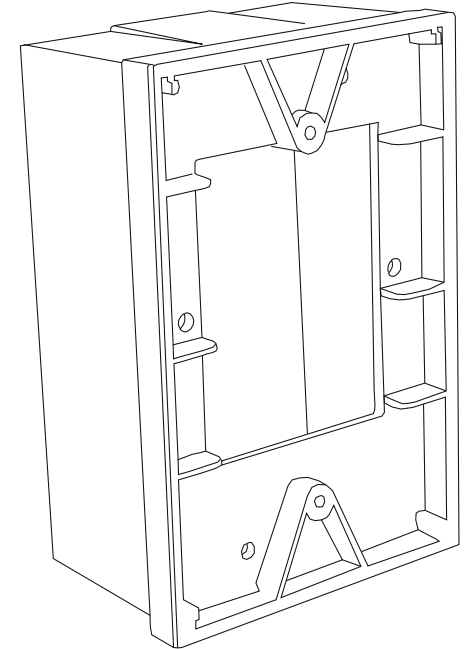
Suitable for SS2xx2, SS2xx5,
SS2xx6, SS2xx7, SS2xx8 and SS2xx9

Extended Depth Surface Mount Installations

KIT-71101B-*colour*

Back Box and 12mm Plate/Spacer

Required for installation in addition to the
KIT-102720 supplied with all button types



Suitable for SS2xx0,
SS2xx1, SS2xx3 and SS2xx4

- 12mm Worldwide Mounting Plate/Spacer (KIT-102720-*) is supplied with all button types. Button types 2, 5, 6, 8 & 9 can be flush mounted.
- If surface mounting is required for button types 2, 5, 6, 7, 8 & 9, order KIT-71100A-*(KIT-102720-* is not required and can be discarded).
- Additional depth is required for installation of button types 0, 1, 3 & 4: the 12mm spacer is required in addition to KIT-71101B-*

Additional Installation Information for Stopper®Station Spacer Kits

All specifications and information shown were current as of publication, and are subject to change without notice

